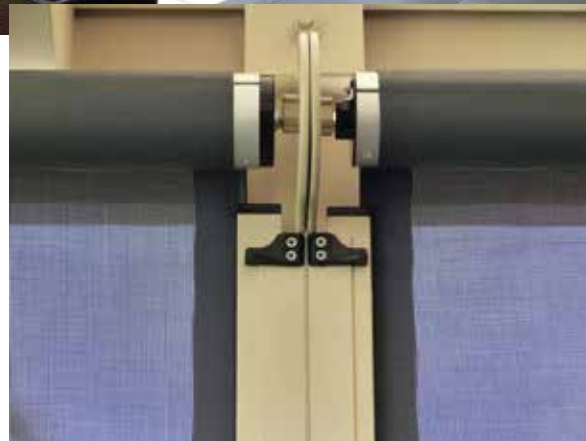


# NBT Zip System



- Rain and Heat protection for Apartments & Houses.
- Creates an extra room (balconies, outdoor areas) when required.
- Create an outdoor dining area for Cafés and Restaurants.
- An advertising opportunity.

## Unique features

- NBT Zip System's maximum width is 4 meters and maximum height is 3 meters.
- Due to heavy springs such a large blind can be easily lifted by hand.
- The Blinds stops in any position as required.
- The Zip Blind can be operated from both sides.



### Connect with the outdoors

NBT Zip System allow you to control airflow, light and temperature whilst remaining connected with nature. Relax and indulge in your own private retreat.



### Center-Lock-Release

The blind can be left at any height or locked at the lowest position. Unlock and operate from the centre with one easy movement.

- ✗ NO ZIPS, CORDS, ROPES OR WIRES
- ✓ ROBUST DESIGN
- ✓ CUSTOMISED INSTALLATION
- ✓ LEAVE AT ANY HEIGHT
- ✓ LOCKS AT BOTTOM
- ✓ REDUCE YOUR ENERGY BILLS.



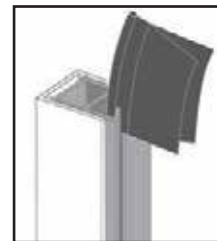
### Sunscreen Mesh and PVC

The blind material is available in a wide range of colours and transparencies. Control the element, but maintain your view.



### Solar Automation

Completely solar powered -motor operation of Sunscreen blind, Includes a remote.



Track-Guided

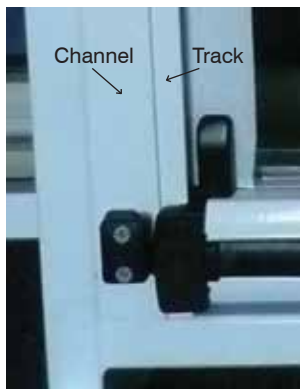


Discreet Design



Stylist Pelmet

With a discrete track profile and colour option to match or compliment your existing space, NBT Zip System blinds offer superior functionality without comprising your style.



Open Brackets



Closed Pelmet

## Product Introduction

A spring loaded Track guided blind system providing **shade** and **wind protection** for both residential and commercial customers.

The blind can be secured and locked in the down position to guard against high winds and UV.

Specially designed slotted tracks in which the blind glides smoothly and easily, stopping at any position.

A full aluminium and plastic system means it is highly resistant to corrosion



Mesh Fabric

## NBT Motorisation / Automation

240V motor : NBT Zip System blinds with mesh fabrics can also be operated with a 240V motor with remote control.

- Bottom stops are not required for zip blinds with an electric motor.
- Different brackets are required for zip blinds with an electric motor.
- The bottom bar must be weighted to ensure correct operation.

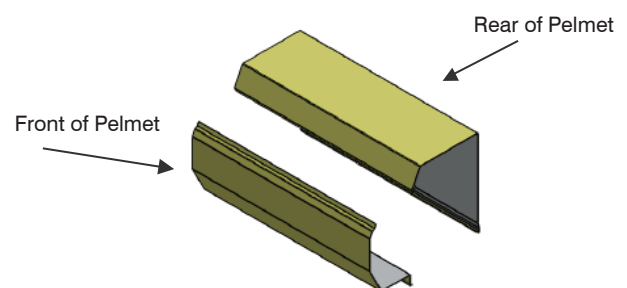


Clear PVC

## Pelmets and covers

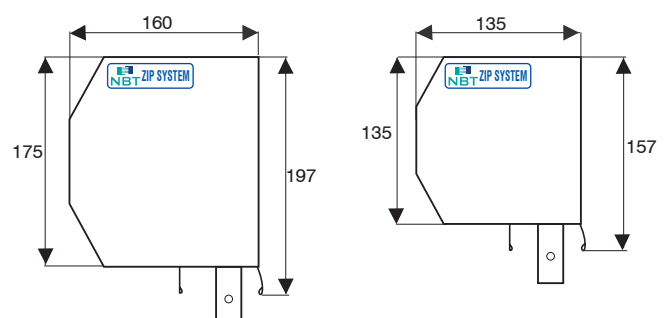
To cover the ZIP blind and protect the screen from weather and dust, as well as provide it with a clean and sleek look, a fully enclosed pelmet cover is available.

There are separate end plates for motorised blinds with pelmets, which have the U-shaped cradle remove.

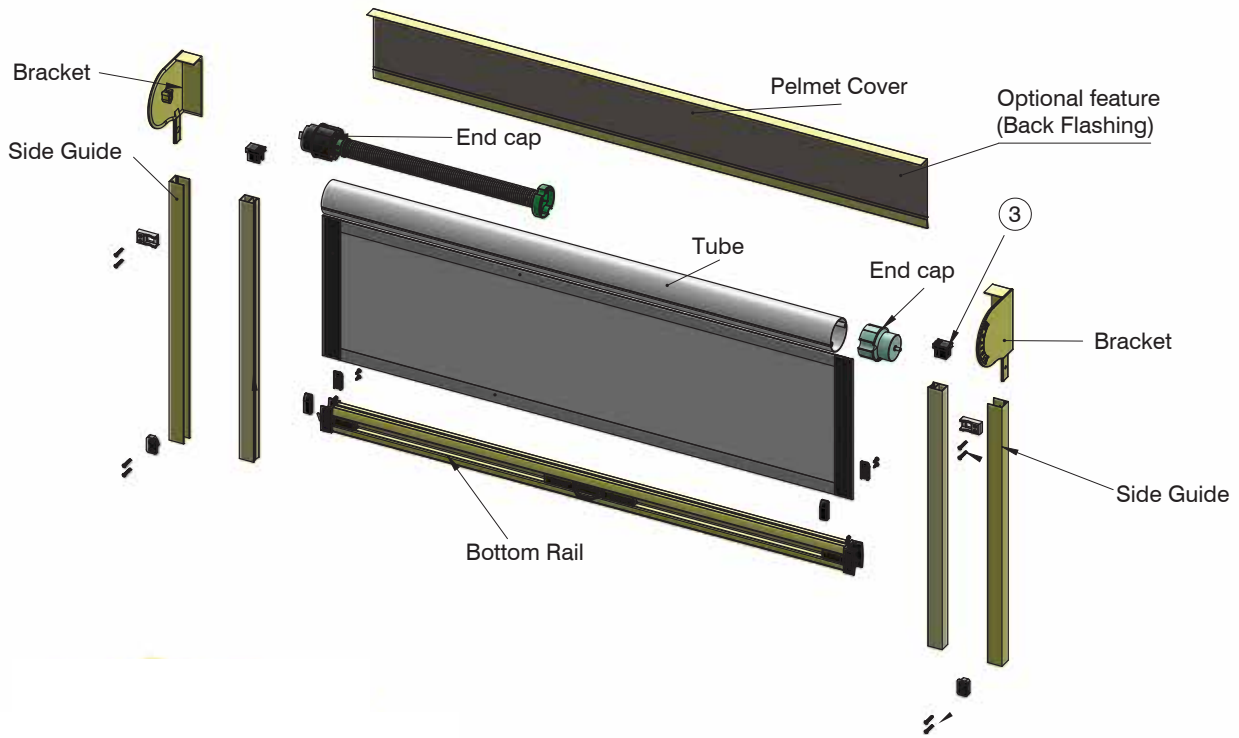


To fully include the Zip blind, Two sizes of pelmet are offered

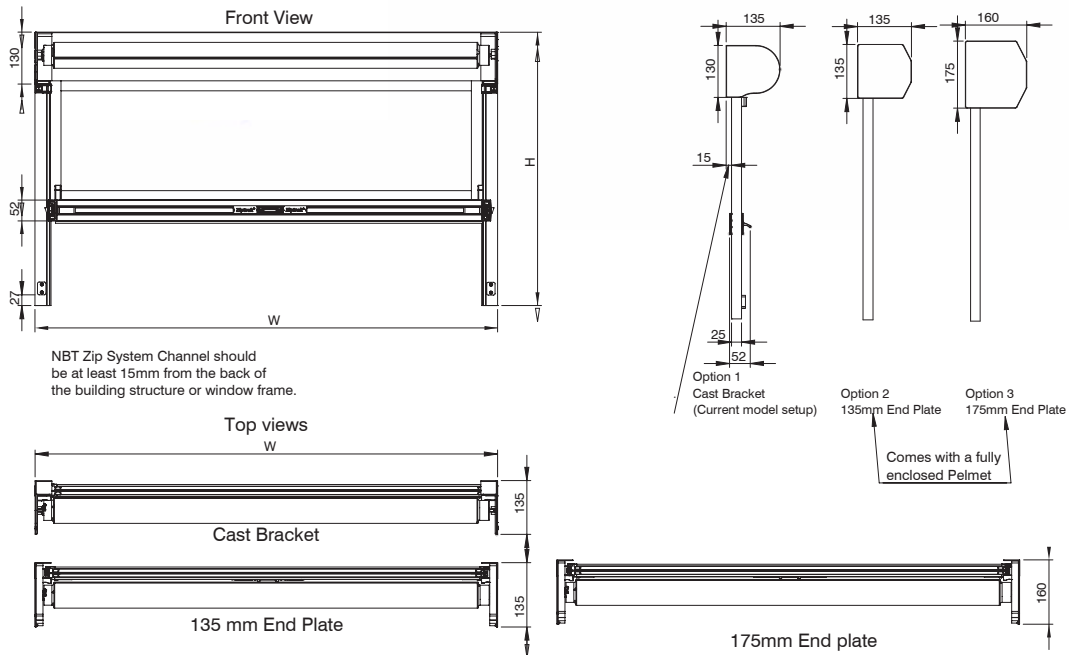
- Zip blind 135 mm Aluminum pelmet
- Zip blind 175 mm Aluminum pelmet



Full Assembly with Cast Bracket



Exterior Blind Assembly



Product Name	Size	Material
 Tube	63 mm	Aluminum
 Bracket	135 x 130 mm	MS
 Side Guide Inner & outer	25 x 37 mm	Aluminum
 Bottom Rail	51 x 31 mm	Aluminum

Product Name	Size	Material
 PVC Spline	Width 35 mm	PVC
 Spline	Width 35 mm	Polyester
 Pelmet cover back and front	135 x 135 mm 175 x 160 mm	Aluminum
 End cap	63 mm	Molded Resin